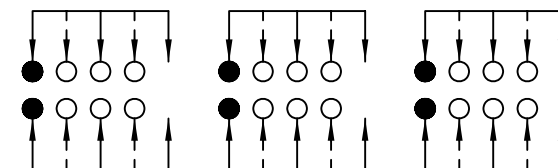
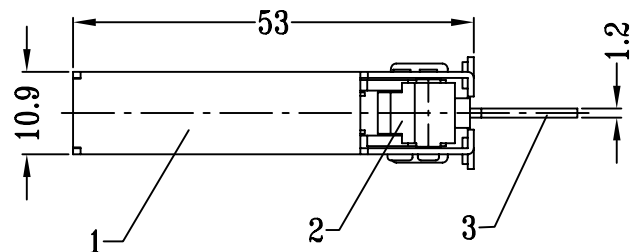
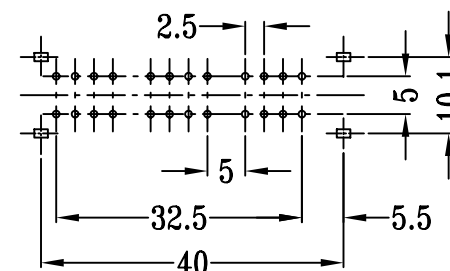
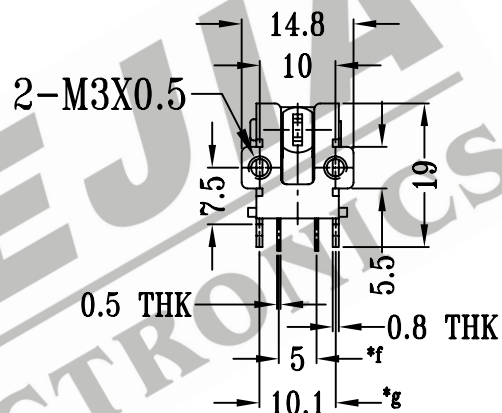
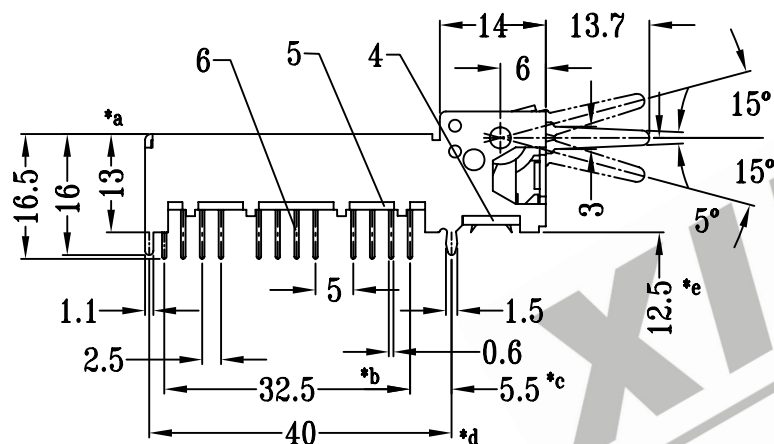


CAD FILE:



SCHEMATIC (NON-SHORTING)



P.C.B LAYOUT

8	CONTACT	PBS	6	Ag CLAD
7	SLIDER	POM	1	BLACK
6	SPRING	STEEL WIRE	1	TEMPER
8	RIVET	COPPER	2	Ni PLATED
7	STEEL BALL	STEEL	1	NATURAL
6	TERMINAL	BRASS STRIP	24	Ag PLATED OVER Ni PLATED
5	BASE	PHENOLIC RESIN	1	NATURAL
4	POSITION PLATE	POM	1	BLACK
3	STEEL KNOB	STEEL STRIP	1	Ni PLATED
2	KNOB	POM	1	BLACK
1	FRAME	STEEL STRIP	1	Ni PLATED
NO.	PARTS	MATERIALS	Q'TY	FINISH

TOLERANCE
UNLESS SPECIFIED

WITHIN: 1.5±0.1mm
OVER: 1.5±0.2mm

SHENZHEN XIEJIA ELECTRONICS CO.,LTD.

ISSUE	DATE	DESCRIPTIONS OF REVISION	APPD.
-------	------	--------------------------	-------

TITLE : TOGGLE SWITCH

UNIT : mm

DRWG NO.: XJ-DR-LS63E01-00

MODEL: LS-63E01

SCALE: 1:1

DWN.	ZHOUYU	2003-5-18
CHK'D	FANGYING	2003-5-18
APPD.	KANGXINAN	2003-5-18

ALL MATERIALS MUST BE COMPLIANT TO ROHS

注:带"*"表示关键尺寸(7个)